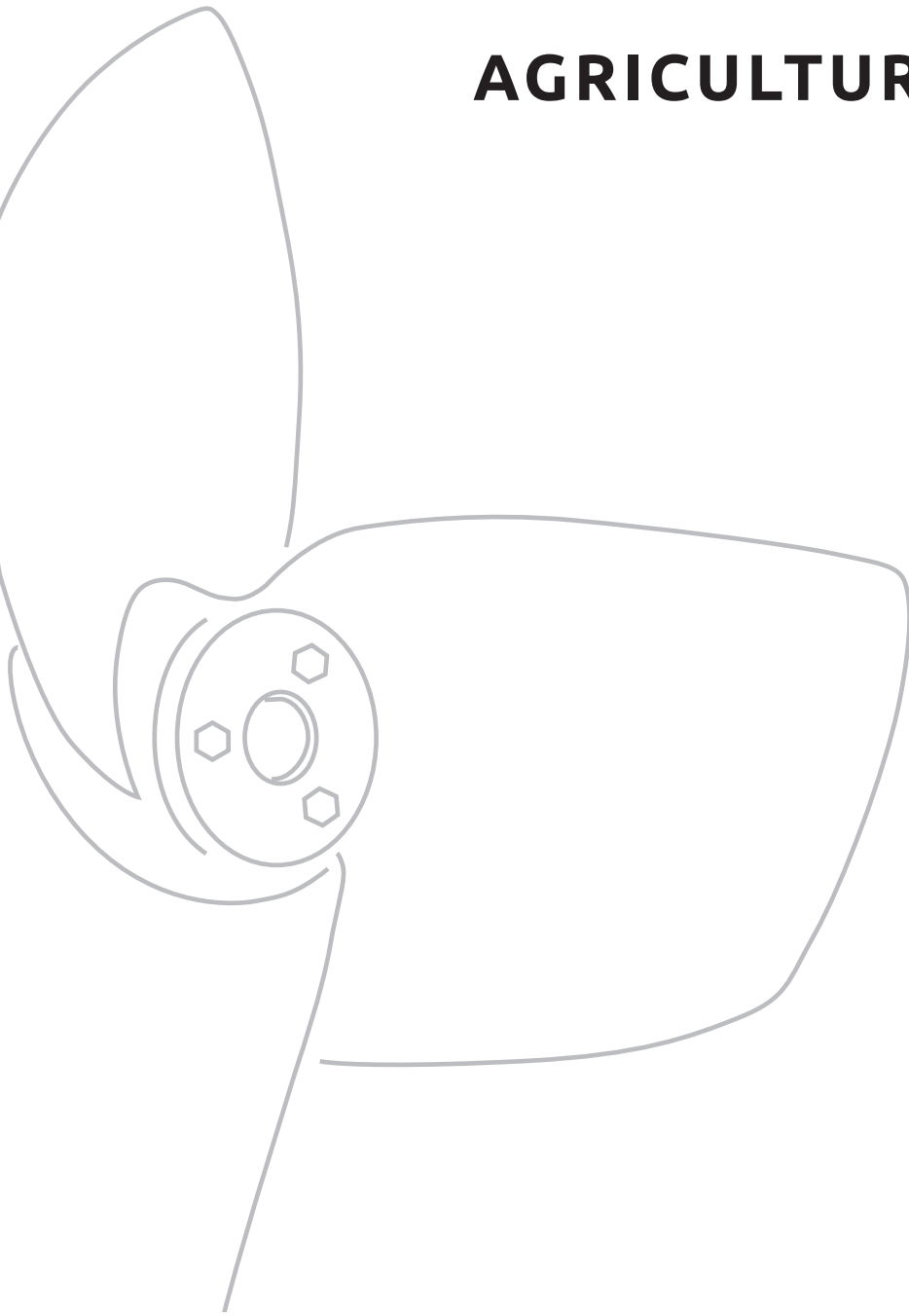




AGRICULTURE AGITATORS

Our service range



Tractor-driven agitator GIANTMIX



For open and closed tanks - GIANTMIX Z3 / Z4 / Z5 / Z6



GIANTMIX Z3

- Tube Ø 100 x 3 mm, galvanized
- Tube length 3.5 - 5.5 m
- Propeller Ø 480 - 580 mm
- For tractor power from 40 kW
- Optional reversing gear for push and pull operation

GIANTMIX Z4

- Tube Ø 121 x 4 mm, galvanized
- Tube length 5.0 - 7.0 m
- Propeller Ø 560 - 660 mm
- For tractor power from 70 kW
- Optional reversing gear for push and pull operation

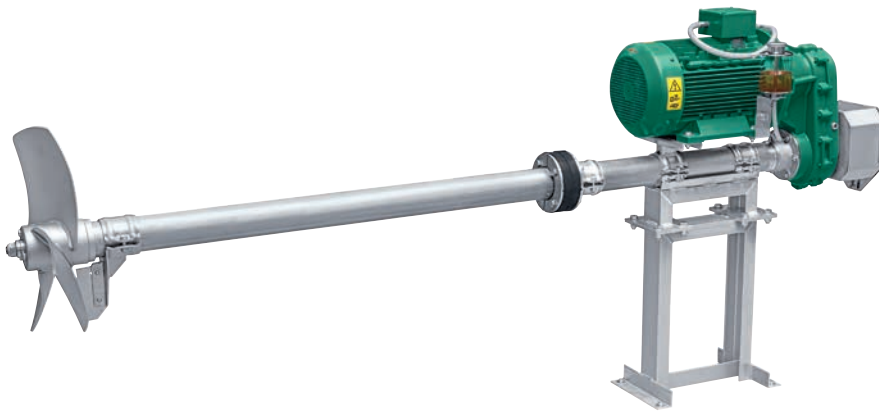
GIANTMIX Z5

- Tube Ø 159 x 6.3 mm, galvanized
- Tube length 6.0 - 8.0 m
- Propeller Ø 620 - 700 mm
- For tractor power from 88 kW

GIANTMIX Z6

- Tube Ø 194 x 6.3 mm, galvanized
- Tube length 7.5 - 9.0 m
- Propeller Ø 700 - 850 mm
- For tractor powers from 160 kW

For elevated tanks - GIANTMIX Z3 / FR stationary



GIANTMIX Z3 stationary

- Tube Ø 100 x 3,0 mm, galvanized or Ø 101.6 x 4.0 mm ss316
- Tube length 2.0 - 2.5 m
- Propeller Ø 560 - 580 mm galvanized, hardened steel or ss304
- For tractor power from 60 kW
- Mounting bracket
- Option: oil equalizing container for monitoring the tightness of the mechanical seal
- Option: rubber compression seal (EPDM 60) Ø 200 mm
- Installation up to 6.0 m beneath substrate level possible

GIANTMIX FR stationary

- Tube Ø 101.6 x 4.0 mm, ss304
- Tube length 2.5 - 3.0 m
- Propeller Ø 580 / 620 / 660 mm
- Motor power 11.0 / 15.0 / 18.5 kW
- Oil equalizing container for monitoring the tightness of the mechanical seal
- Option: tractor-driven configuration with PTO-connection
- Installation up to 6 m beneath substrate level, deeper immersion depths on request

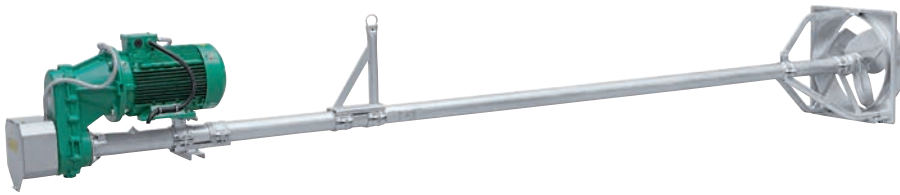
For ring- and slalom channels- GIANTMIX Z3



GIANTMIX Z3 for ring and slalom channels

- Tube Ø 100 x 3 mm, galvanized or Ø 101.6 x 4.0 mm ss304
- Tube length 4.0 - 6.0 m
- Propeller Ø 520 - 580 mm, galvanized or ss304
- Push- or pull propeller
- Sealing with shaft seal ring, optional with mechanical seal SiC/SiC
- Delivery completely ready to install with galvanized or ss304 wall frame
- Option: guide rail and rear frame in galvanized or ss304

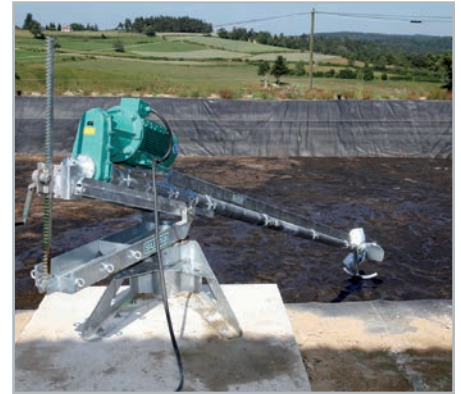
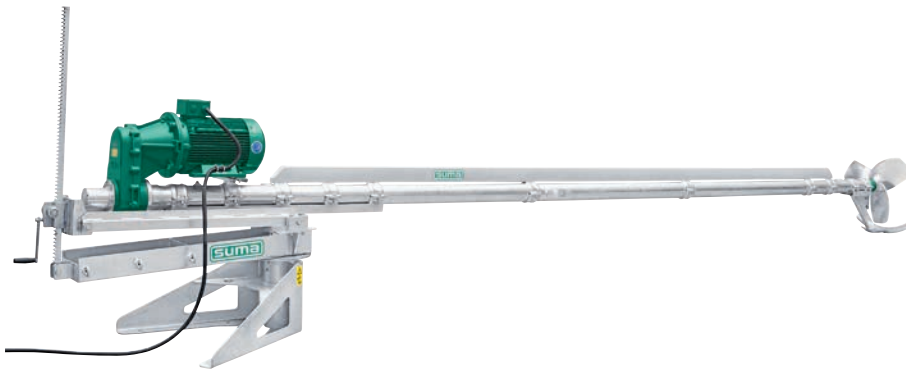
For ring- and slalom channels- GIANTMIX MZR



GIANTMIX MZR for ring and slalom channels

- Tube Ø 100 x 3 mm, galvanized or Ø 101.6 x 4 mm ss304
- Tube length 4.0 - 6.0 m
- Propeller Ø 580 mm, galvanized or ss304
- Push or pull propeller
- Motor power 11.0 / 15.0 / 18,5 kW
- Sealing with shaft seal ring, optional with mechanical seal SiC/SiC
- Delivery completely ready to install with galvanized or ss304 wall frame
- Tractor-driven configuration with PTO-connection
- Option: guide rail and rear frame in galvanized or ss304
- Option: manual star-delta-switch or soft start
- Option: oil equalizing container for monitoring the tightness of the mechanical seal

For lagoons



GIANTMIX MZR lagoon

- Tube-Ø 121 x 4 mm, galvanized
- Tube length 6.0 up to 7.0 m
- With stabilizing tube
- With swivel device for lateral adjustment up to 360°
- Vertical adjustment with pinion rack
- Option: manual star-delta-switch or soft start

For small and middle-sized pits as well as open and closed tanks



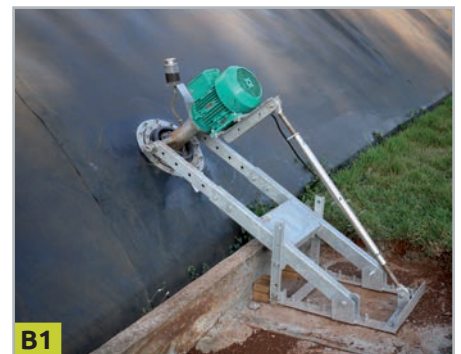
REKORDMIX

- Tube Ø 70 x 3 mm, ss304
- Tube length 2.25 - 4.25 m (in 0,5 m steps)
- Motor power 4.0 or 5.5 kW
- Propeller speed 945 or 1.450 rpm
- Propeller 320 or 270 mm, galvanized or ss304
- With support leg or safety ring, galvanized or ss304
- Sealing with shaft seal ring, optional with mechanical seal SiC/SiC
- Option: manual star-delta-switch for 5.0 kW, cable and plug

Accessories

- Chassis wide (97 cm) or small (58 cm)
- Trestle clamp for doweling
- Frame clamp EB2 for doweling on concrete or steel tanks

For lagoons



REKORDMIX B1

- Tube Ø 70 x 3 mm, ss304, completely filled with sealing oil ISO VG68
- Tube lengths 3.75 / 4.25 m
- Motor 4 kW | 50 Hz | 945 rpm
- 2 tapered roller bearings to absorb the axial forces
- Mechanical seal SiC/SiC
- Stub shaft with intermediate bearings and both sided plug connections
- Propeller Ø 320 mm, optional galvanized and ss304
- Safety ring in ss304
- Oil equalizing container for monitoring the tightness
- Dry substrate matter content up to 10%

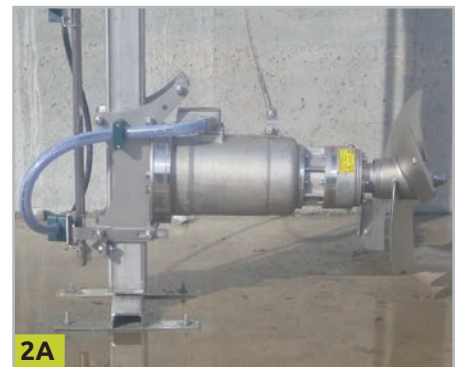
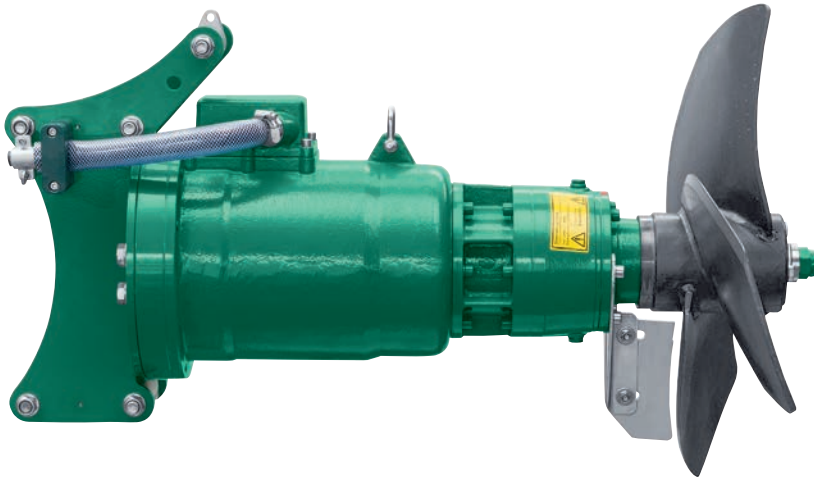
GIANTMIX BG2

- | | | | |
|---------------|-------|-------------------|---------|
| · BG2 100-280 | 10 kW | propeller HD+ 750 | 280 rpm |
| · BG2 100-380 | 10 kW | propeller HD+ 560 | 380 rpm |
- Tube Ø 101.6 x 5.7 mm, ss304, optional in ss316
 - Tube length 4.0 / 5.0 m
 - Mechanical seal SiC/SiC
 - Propeller Ø 560 / 750 mm
 - Oil equalizing container for monitoring the tightness of the mechanical seal
 - Dry substrate matter content up to 12%

Submersible motor OPTIMIX



For agricultural applications



OPTIMIX

- 2G: 4 kW 180 | 250 rpm
- 2G: 9 kW 75 rpm
- 2G: 9 kW 280 rpm
- 2G: 15 kW 275 rpm
- 2G: 9 | 15 kW 380 rpm
- 3G: 25 kW 270 rpm
- 2A: 4 kW 180 | 250 rpm
- 2A: 13,5 kW 280 | 380 rpm (Ex-Zone 1)*
- 3A: 25 kW 270 rpm *
- Propeller galvanized, optional in hardened steel, ss304 or ss316
- Mechanical seal SiC/SiC
- 3 separated oil chambers for motor, gear and bearing flange
- Longlife-gear oil in gear and bearing flange
- 4-rollers guiding for mast sizes 80 x 80 / 100 x 100 / 120 x 120 / 150 x 150 mm
- Galvanic isolated to the guide mast
- Delivery with 10 m microbe resistant cable
- Option: manual star-delta-switch (9-15 kW) or soft start (9-25 kW) with timer

* completely in ss304, optional ss316

For closed tanks - OPTIMIX mobile

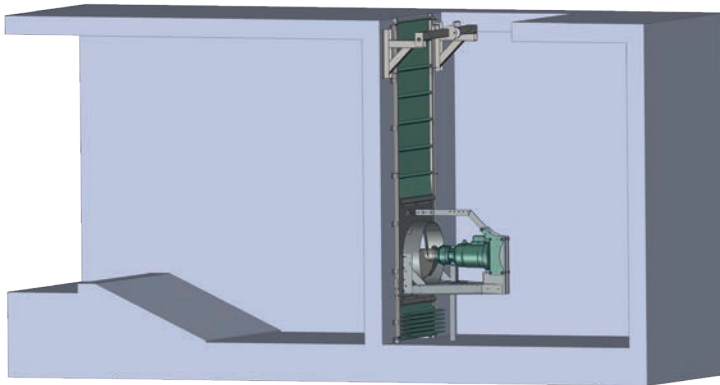


OPTIMIX mobile

- OPTIMIX ECO 7.5 kW with 1,450 rpm
- OPTIMIX 2G 9 kW with 380 rpm
- Installable up to 3.5 m depth
- Pit opening for ECO 7.5 kW: at least 35 x 60 cm
- Chassis small (57 cm) or standard (97 cm)
- Traverse for clamping on the tank ceiling
- Delivery with manual star-delta-switch
- Option: telescope tube for limited ceiling height



For ring and slalom channels - OPTIMIX stationary or adjustable



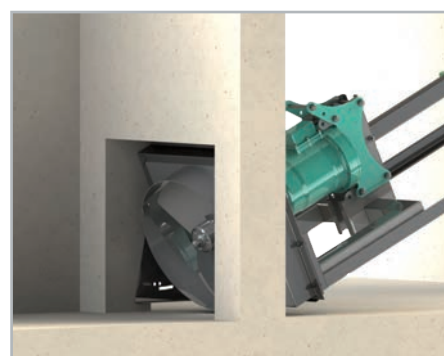
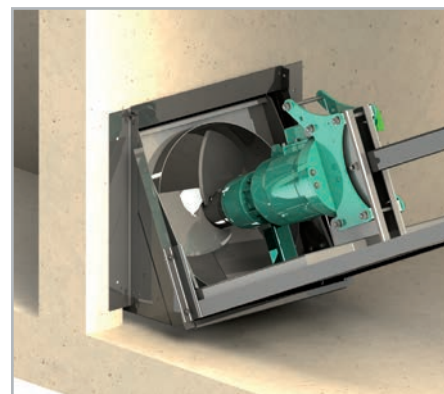
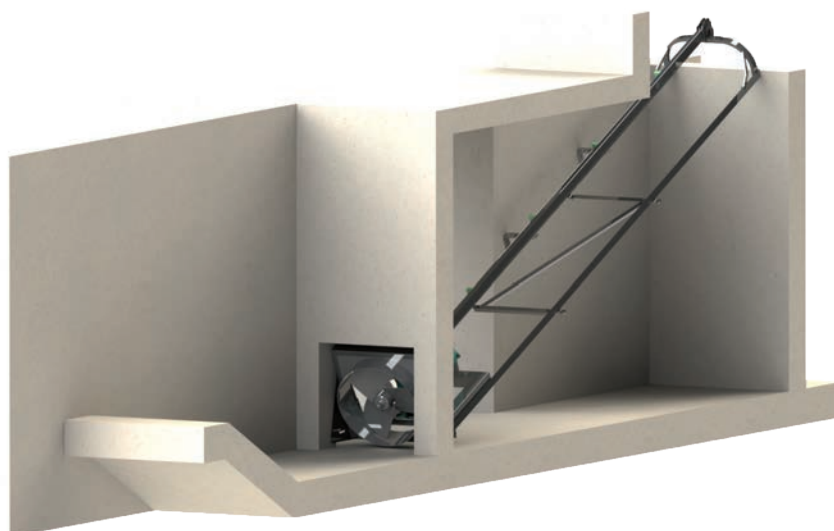
OPTIMIX adjustable

- OPTIMIX 2G | 2A, with rope winch - adjustable in height
- Up to 4 m depth
- Funnel channel has a optimum width of 700 - 750 mm (Other sizes on request)
- Microbe resistant and fabric-reinforced foil
- Optional: Star-delta switch or SUMA soft starter
- Hoisting device for agitators via ss316 wire rope
- Agitator frame galvanized and coated

OPTIMIX stationary

- OPTIMIX 2G: 9 | 15 kW with 380 rpm
- Propeller Ø 580 - 620 mm, galvanized or ss304
- PVC-plate 30 mm thick
- Delivery with 10 m microbe resistant cable
- Option: completely in ss304 - OPTIMIX 2A with 13,5 kW and 380 rpm
- Option: manual star-delta-switch or soft start with timer

Slide for guide rail



OPTIMIX mobile

- Optimix on guide rail with 70 mm wall frame
- Option: guide rail with rear frame (optional in ss304)
- Locking rod takes the axial forces from the agitator and leads the connection cable out of the shaft
- Option: manual star delta-switch up to 15 kW or soft start with timer and rain protection up to 15 kW

Suspension mounting frame EV3 / EV4



Suspension mounting frame EV3 / EV4

- All OPTIMIX applicable - 2G / 2A / 3G / 3A
- Installable in tank heights up to 12 m
- EV3: Doweling onto the inside tank wall
- EV4: Doweling onto the tank ceiling
- +/- 60° horizontal adjustment
- ss304-guide mast 100 x 100 / 120 x 120 / 150 x 150 mm
- Cable guidance on the rope, optional on the mast (EV3)
- Galvanized rope winch (max. strain relief 650 or 1200 kg)
- Gallow, base frame and wall support in ss304
- Option: ss304 rope winch (max. strain relief 900 kg)
- Option: height indication to determine the exact height of the agitator within the tank

Suspension mounting frame EV5



Suspension mounting frame EV5

- All OPTIMIX applicable - 2G / 2A / 3G / 3A
- Installable in tank depths up to 12 m
- Doweling of the mast holder onto the inside tank wall
- Doweling of the gallow on the outside tank wall
- $\pm 60^\circ$ horizontal adjustment
- ss304-guide mast 100 x 100 / 120 x 120 / 150 x 150 mm
- Gallow, base frame and wall support in ss304
- Galvanized rope winch (max. strain relief 650 or 1200 kg)
- For closed tanks to minimize the smell
- With SUMA-cable guidance and strain relief behind the mast
- Option: ss304 rope winch (max. strain relief 900 kg)
- Option: height indication to determine the exact height of the agitator within the tank



CONTACT

SUMA Rührtechnik GmbH
Martinszeller Str. 21
DE - 87477 Sulzberg
Phone: +49 8376 92 131 -0
Fax: +49 8376 92 131 -19
E-Mail: info@suma.de
www.suma.de/en

YOUR LOCAL PARTNER